



## PAR6-59W-P7A/A

**1.8 m | 6 ft Parabolic Unshielded Antenna for Relocation-Category A, single-polarized, 5.725 - 5.850 GHz & 5.925-7.125 GHz, CPR137G, gray antenna, with flash, standard pack—one-piece reflector**

**This product will be discontinued on: December 15, 2017**

### Replaced By:

VHLP6-6W-6WH/B

1.8 m | 6 ft ValuLine® High Performance Low Profile Antenna, single-polarized, 5.925-7.125 GHz, CPR137G, white antenna, flexible woven polymer gray radome without flash, standard pack—one-piece reflector

## Product Classification

Product Type	Microwave antenna
--------------	-------------------

## General Specifications

Antenna Type	PAR - Parabolic Unshielded Antenna for Relocation-Category A, single-polarized
Diameter, nominal	1.8 m   6 ft
Packing	Standard pack
Reflector Construction	One-piece reflector
Antenna Input	CPR137G
Antenna Color	Gray
Antenna Type	PAR - Parabolic Unshielded Antenna for Relocation-Category A, single-polarized
Diameter, nominal	1.8 m   6 ft
Flash Included	Yes
Polarization	Single

## Electrical Specifications

Operating Frequency Band	5.925 – 7.125 GHz
Beamwidth, Horizontal	1.8 °
Beamwidth, Vertical	1.8 °
Cross Polarization Discrimination (XPD)	30 dB
Electrical Compliance	Canada SRSP 305.9 Part A   Canada SRSP 306.4 Part A   ETSI Class 1   US FCC Part 101A   US FCC Part 74B
Front-to-Back Ratio	59 dB
Gain, Low Band	38.0 dBi
Gain, Mid Band	38.7 dBi
Gain, Top Band	39.0 dBi
Operating Frequency Band	5.925 – 7.125 GHz

PAR6-59W-P7A/A

Radiation Pattern Envelope Reference (RPE)	2480
Return Loss	28.3 dB
VSWR	1.08

## Electrical Specifications (Band 2)

Beamwidth, Horizontal	1.8 °
Beamwidth, Vertical	1.8 °
Cross Polarization Discrimination (XPD)	30 dB
Gain, Low Band	37.1 dBi
Gain, Mid Band	37.2 dBi
Gain, Top Band	37.3 dBi
Operating Frequency Band	5.725 – 5.850 GHz
Return Loss	19.1 dB
VSWR	1.25

## Mechanical Specifications

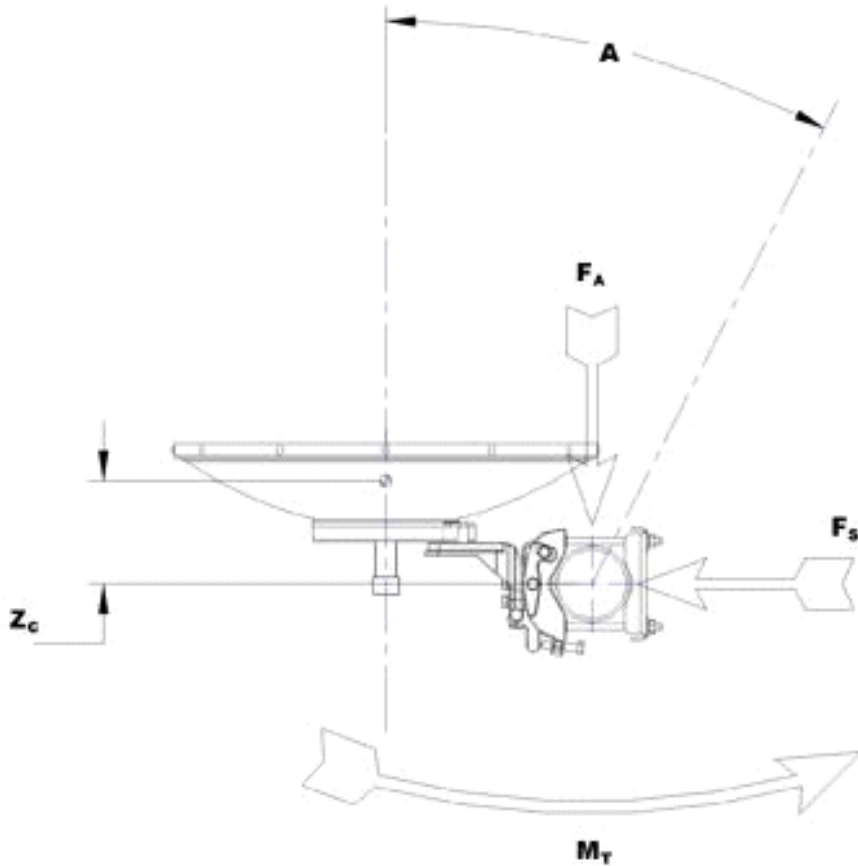
Fine Azimuth Adjustment	±15°
Fine Elevation Adjustment	±20°
Mounting Pipe Diameter	115 mm   4.5 in
Net Weight	70 kg   154 lb
Side Struts, Included	1 inboard
Side Struts, Optional	1 inboard
Wind Velocity Operational	110 km/h   68 mph
Wind Velocity Survival Rating	200 km/h   125 mph

## Wind Forces At Wind Velocity Survival Rating

Angle $\alpha$ for MT Max	-130 °
Axial Force (FA)	8779 N   1974 lbf
Side Force (FS)	1946 N   437 lbf
Twisting Moment (MT)	3826 N•m
Weight with 1/2 in (12 mm) Radial Ice	122 kg   269 lb
Zcg with 1/2 in (12 mm) Radial Ice	347 mm   14 in
Zcg without Ice	278 mm   11 in

PAR6-59W-P7A/A

## Wind Forces At Wind Velocity Survival Rating Image

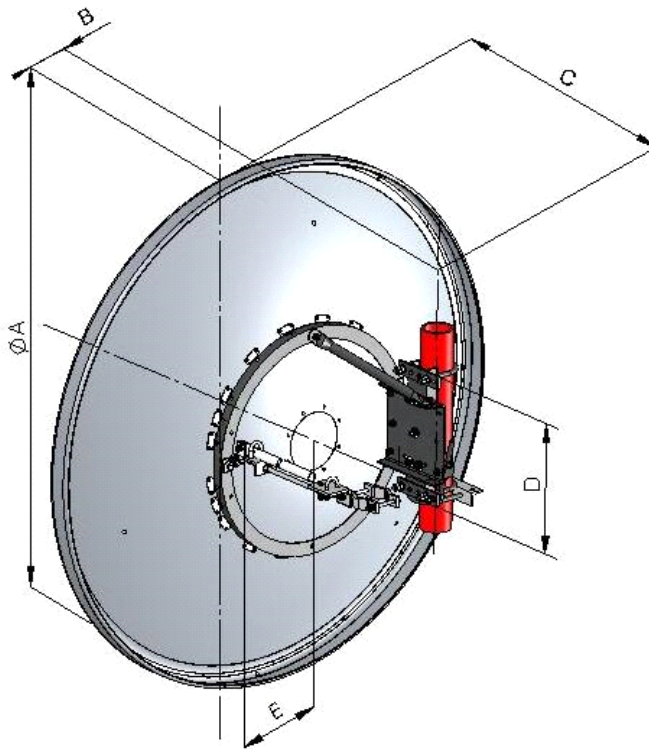


## Packed Dimensions

Gross Weight, Packed Antenna	117.0 kg		257.9 lb
Height	2100.0 mm		82.7 in
Length	2070.0 mm		81.5 in
Volume	3.4 m <sup>3</sup>		
Width	780.0 mm		30.7 in

PAR6-59W-P7A/A

## Antenna Dimensions And Mounting Information



Dimensions in Inches (mm)					
Antenna Size, ft (m)	A	B	C	D	E
6 (1.8)	76.3 (1939)	17.1 (435)	17.9 (455)	19.3 (490)	14.3 (362)

## Regulatory Compliance/Certifications

Agency	Classification
ISO 9001:2008	Designed, manufactured and/or distributed under this quality management system

### \* Footnotes

Axial Force (FA)	Maximum forces exerted on a supporting structure as a result of wind from the most critical direction for this parameter. The individual maximums specified may not occur simultaneously. All forces are referenced to the mounting pipe.
Cross Polarization Discrimination (XPD)	The difference between the peak of the co-polarized main beam and the maximum cross-polarized signal over an angle twice the 3 dB beamwidth of the co-polarized main beam.
Front-to-Back Ratio	Denotes highest radiation relative to the main beam, at $180^\circ \pm 40^\circ$ , across the band. Production antennas do not exceed rated values by more than 2 dB unless stated otherwise.
Gain, Mid Band	For a given frequency band, gain is primarily a function of antenna size. The gain of Andrew antennas is determined by either gain by comparison or by

PAR6-59W-P7A/A

	computer integration of the measured antenna patterns.
Operating Frequency Band	Bands correspond with CCIR recommendations or common allocations used throughout the world. Other ranges can be accommodated on special order.
Packing	Andrew standard packing is suitable for export. Antennas are shipped as standard in totally recyclable cardboard or wire-bound crates (dependent on product). For your convenience, Andrew offers heavy duty export packing options.
Radiation Pattern Envelope Reference (RPE)	Radiation patterns define an antenna's ability to discriminate against unwanted signals. Under still dry conditions, production antennas will not have any peak exceeding the current RPE by more than 3dB, maintaining an angular accuracy of +/-1° throughout
Return Loss	The figure that indicates the proportion of radio waves incident upon the antenna that are rejected as a ratio of those that are accepted.
Side Force (FS)	Maximum side force exerted on the mounting pipe as a result of wind from the most critical direction for this parameter. The individual maximums specified may not occur simultaneously. All forces are referenced to the mounting pipe.
Twisting Moment (MT)	Maximum forces exerted on a supporting structure as a result of wind from the most critical direction for this parameter. The individual maximums specified may not occur simultaneously. All forces are referenced to the mounting pipe.
VSWR	Maximum; is the guaranteed Peak Voltage-Standing-Wave-Ratio within the operating band.
Wind Velocity Operational	The wind speed where the antenna deflection is equal to or less than 0.1 degrees. In the case of ValuLine antennas, it is defined as a maximum deflection of 0.3 x the 3 dB beam width of the antenna.
Wind Velocity Survival Rating	The maximum wind speed the antenna, including mounts and radomes, where applicable, will withstand without permanent deformation. Realignment may be required. This wind speed is applicable to antenna with the specified amount of radial ice.